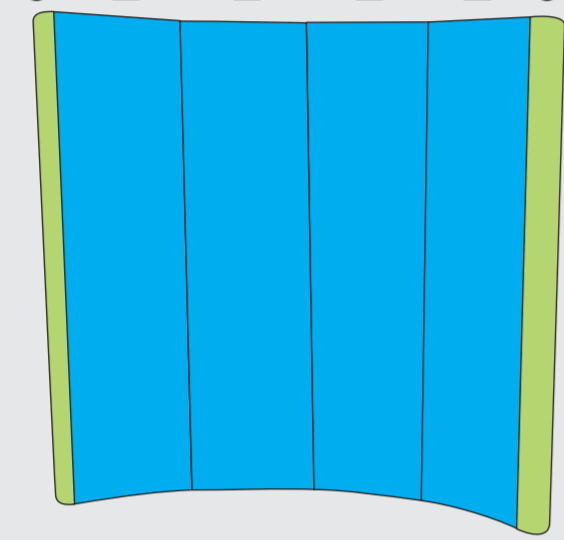


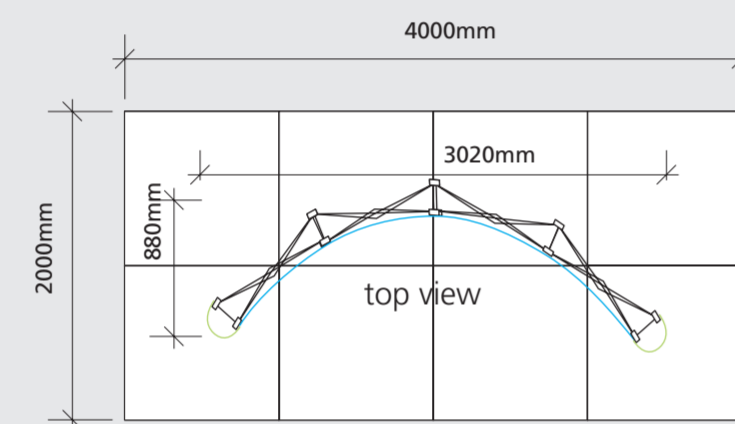
# FLASH

## PHOTOBITION

endcap1  
panel1  
panel2  
panel3  
panel4  
endcap2



Due to endcaps being curved to the back of the stand, keep endcaps clear of text as it will be obscured when set up.



### 3x4 Classic Curved

file set up at 25% of final output size.

**Final size: 3796wx2350h**

endcaps (x2): 400w x 2350h

panels (x4): 749w x 2350h

**Document size: 949x587.5**

endcaps (x2): 100w x 587.5h

panels (x4): 187.25w x 587.5h

Any raster images should be 100dpi at final output size.

example: a background image covering all 4 panels and endcaps would need to be approximately 400MB (RGB).